



# CT310KX

## ELECTRIC-HYDRAULIC 6,650 FT-LB CRANE



The Ventura CT310KX provides full-functionality with a compact footprint and an excellent power-to-weight ratio. The CT310KX crane can be installed on trailers, on platform and utility bodies, and in closed vans.

### FEATURES

- ◆ 1,900 lb Maximum Lifting Capacity
- ◆ 6,650 ft-lb Moment Rating
- ◆ Electric-Hydraulic Power
- ◆ High-Efficiency, Heavy-Duty Electric Planetary Winch
  - ◆ 26 ft/min at 0 lbs; 18 ft/min at 1000 lbs
  - ◆ 12V Permanent Magnet Motor
  - ◆ Dual Load Applied and Dynamic Braking System
  - ◆ High-Efficiency 3-Stage Planetary Geartrain (216:1)
- ◆ Hydraulic Power Boom Extension to 6' 3"
- ◆ Manual Boom Extension to 9' 3"
- ◆ 322° Power Rotation
- ◆ Load-Holding Counterbalance Valves on all Cylinders
- ◆ Compact Footprint: Requires 13" x 13" Mounting Area
- ◆ Meets ANSI B30.5 Safety Standards
- ◆ Meets OSHA 1910.180 Requirements

LIFTING CAPACITIES	
REACH (FT)	CAPACITY (LBS)
3	1,900
6.25	1,000
9.25	700

See Back Page for Complete Capacity Chart

### STANDARD EQUIPMENT

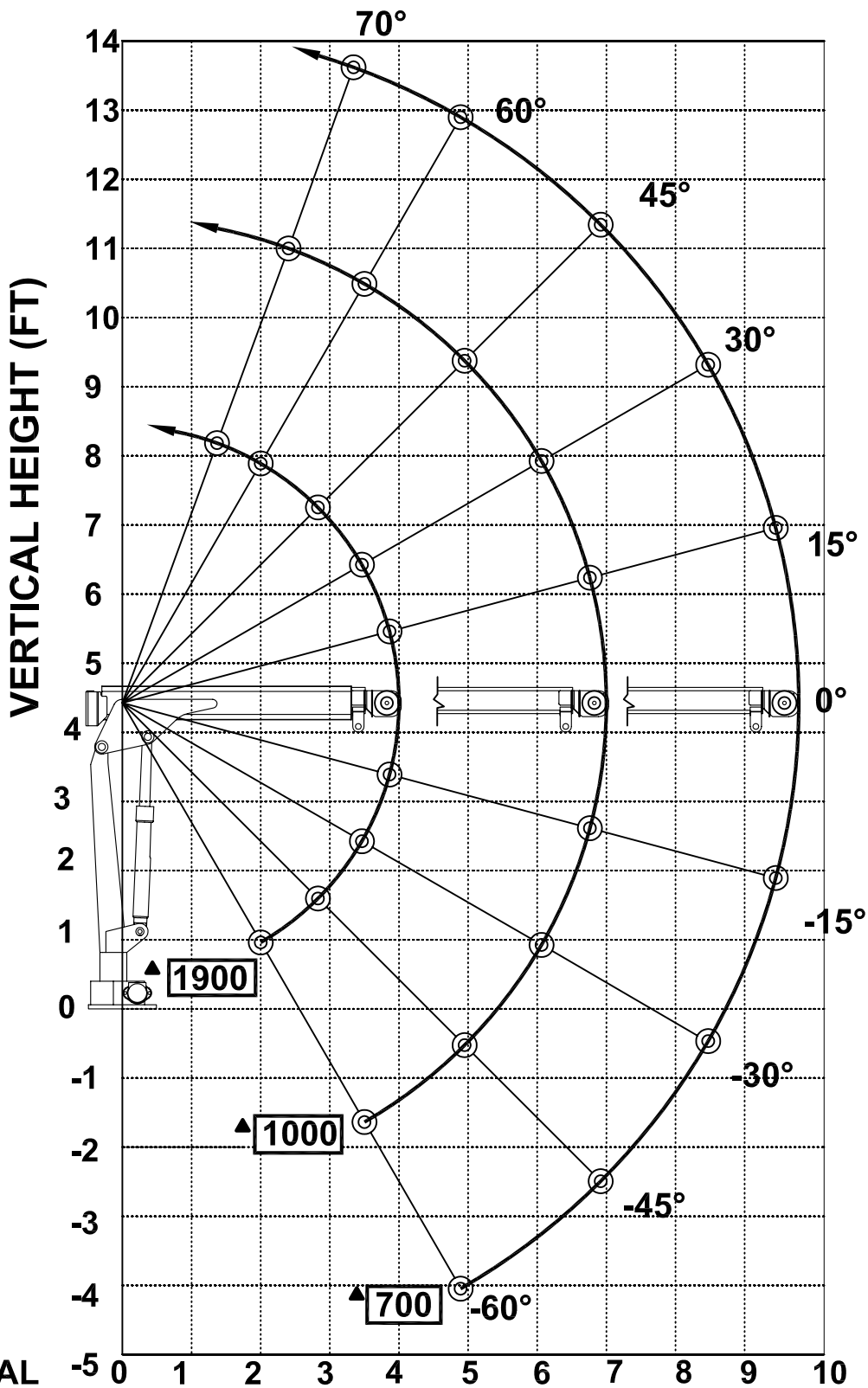
- ◆ Remote Control Pendant: 20 ft Cord with Quick Disconnect
- ◆ Audible Overload Alarm Protection
- ◆ 50 ft of 3/16" Aircraft-Quality Wire Rope
- ◆ Snatch Block with Swivel Hook and Safety Latch
- ◆ Master Disconnect Switch
- ◆ Battery Cable: 25 ft, 4 Gauge
- ◆ Weight: 370 lbs



12110 BEST PLACE  
CINCINNATI OH 45241  
8 0 0 . 2 2 6 . 2 2 3 8  
FAX 513.326.5427  
www.venturo.com

Specifications subject to change without notice.

# CT310KX MAXIMUM CAPACITY CHART



**MUST USE SNATCH BLOCK  
FOR LOADS OF 1000 LBS.  
AND GREATER**