



CE1500FB

ELECTRIC 4,500 FT-LB CRANE



The Venturo CE1500FB is the economical choice for light and medium duty applications.

FEATURES

- ◆ 1,500 lb Maximum Lifting Capacity
- ◆ 4,500 ft-lb Moment Rating
- ◆ Electric Power (12 V DC or optional 120 V AC)
- ◆ 3-5 ft manual extension boom folds for compact storage
- ◆ Manual 360° rotation with band brake provides unlimited controlled load positioning
- ◆ Integrated surface mounting socket with 12" x 12" base plate
- ◆ Weight: 165 lbs

WINCH FEATURES

- ◆ 12 V DC, 1.3 hp motor
- ◆ Planetary geartrain with 123:1 reduction
- ◆ Dynamic motor braking for controlled load lowering
- ◆ 25 ft of 3/16" Aircraft-Quality Wire Rope
- ◆ Snatch Block with swivel hook and safety latch for maximum capacity loads
- ◆ Remote Control Pendant: 12 ft Cord with Quick Disconnect
- ◆ 80 amp circuit breaker protects motor

LIFTING CAPACITIES	
REACH (FT)	CAPACITY (LBS)
3	1,500
4	1,150
5	800

See Back Page for Additional Information

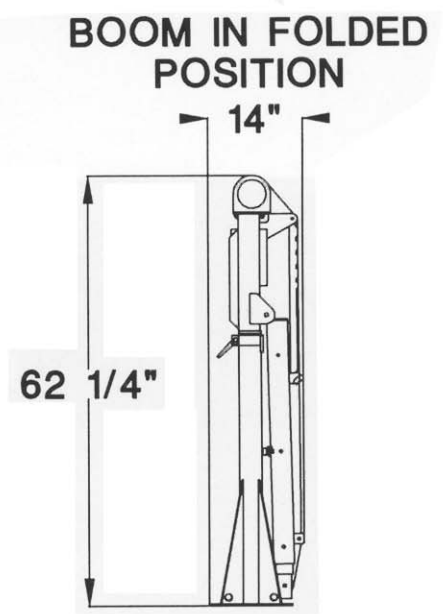
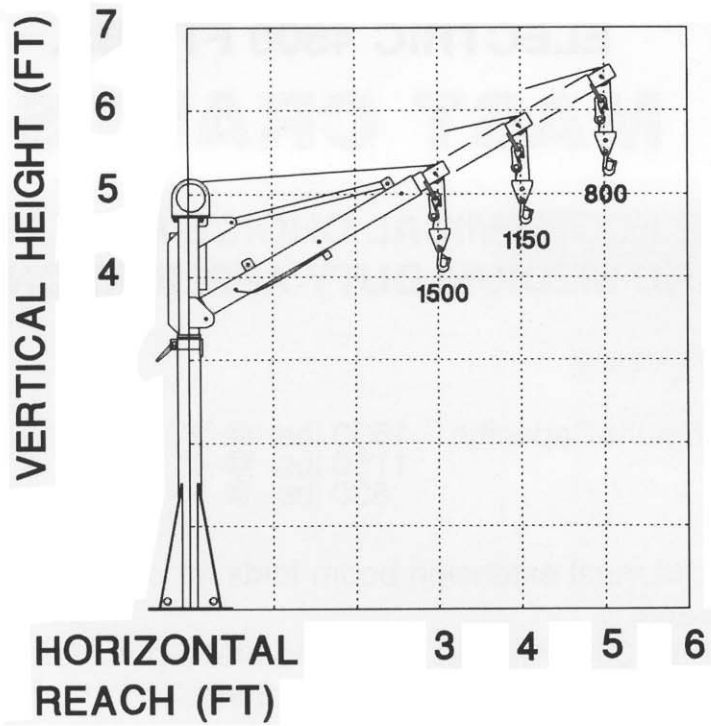
OPTIONS

- ◆ AC Winch
 - ◆ 120 V AC, 0.6 hp motor
 - ◆ Planetary geartrain with 148:1 reduction
 - ◆ 45 ft of 5/32" Aircraft-Quality Wire Rope
 - ◆ Hard-wired pendant control with 6 ft cord
- ◆ Master Disconnect Switch



12110 BEST PLACE
CINCINNATI OH 45241
800.226.2238
FAX 513.326.5427
www.venturo.com

Specifications subject to change without notice.



MUST USE SNATCH BLOCK FOR LOADS GREATER THAN 1000 LBS.

